

Latching Relay MK 8852

Translation
of the original instructions



Your Advantage

- Energy saving, no holding capacity required
- Manual switching by manual actuator possible
- Switching position visible from outside

Features

- According to IEC/EN 61810-1
- Setting input A1 - A2
- Reset input A3 - A2
- Storage function
- Switch position indication
- Manual operation
- DIN rail mounting
- Width 22.5 mm

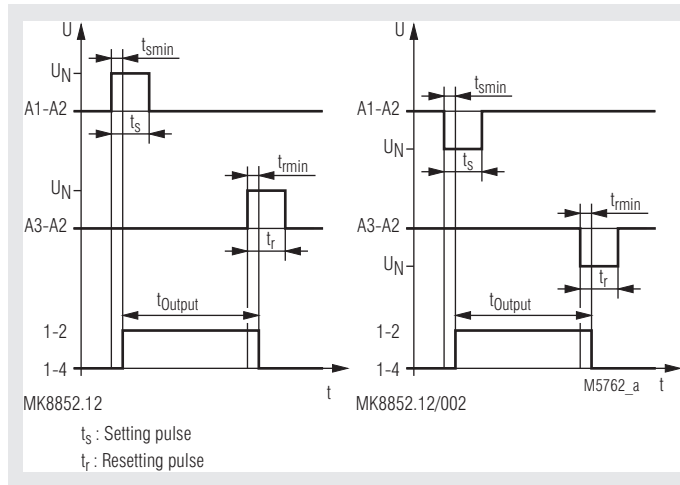
Product Description

The latching relay MK 8852 is suitable for use in systems in which the switching states of the contacts must be reliably maintained even in the event of power failures. It contains a bistable relay equipped with two coils, which permanently maintains its switching state after pulse triggering. The latching relay is designed for pulse operation, although continuous operation is also permissible in the event of a fault. Switching of the contacts can be achieved by pulse control of the other second relay coil. The switching position of the contacts can be changed manually, with the manual actuator on the front of the device, which also serves as a contact position indicator.

Approvals and Markings



Function Diagram



Notes

Impulse conversion into a permanent function. (A pulse input s leading to a continuous function output).

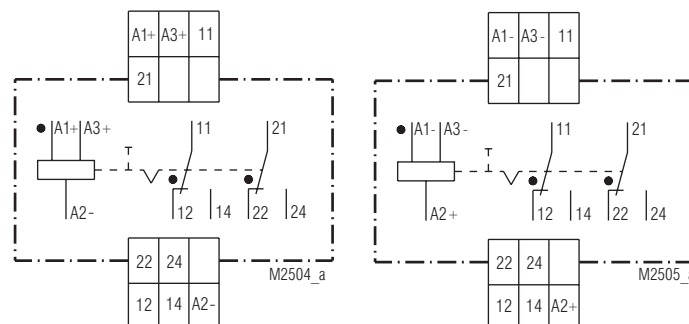
Latching relays are designed for pulse operation.

In case of cyclic pulsed operation, the recommended pulse duration for t_s and t_r are within 0.03 ... 2 s each. A pulse-interval-ratio of 25 % duty cycle is recommended. In no case the permissible operating frequency may be exceeded. For single pulse operation pulse times of > 2 s are possible. A recovery time (min off time between 2 impulses) of > 6 s is required.

In case of a failure a continuous control is possible.

Simultaneous energization of A1 and A3 ist not allowed!

Circuit Diagrams



MK 8852.12

MK 8852.12/002

Connection Terminals

Terminal designation	Signal description
A1	Setting input AC/DC (setting pulse)
A2	Reference potential (earth connection)
A3	Reset input AC/DC
11, 12, 14; 21, 22, 24	Changeover contacts

Technical Data

Input

Operating mode:	Impulse operation
Nominal voltage U_N:	AC / DC 24 V, 30 ... 80 V, 96 ... 150 V, 180 ... 240 V
Voltage range:	0.8 ... 1.1 U_N (for limit range 30 V resp. 80 V or no range up to 24 V)
Nominal consumption:	1.35 W
Nominal frequency:	50 / 60 Hz
Frequency range:	± 5 %
Min. pulse duration ($\hat{=}$ $t_{s, min}$ and $t_{r, min}$):	30 ms

Output

Contacts	
MK 8852.12:	2 changeover contacts
Operate time of contacts:	10 ms
Release time of contacts:	10 ms
Thermal current I_{th}:	6 A
Switching capacity	IEC/EN 60947-5-1
To AC 15:	4 A / AC 230 V
To DC 13:	1.5 A / DC 24 V 0.2 A / DC 110 V 0.1 A / DC 230 V
Electrical life	IEC/EN 60947-5-1
At 6 A, AC 230 V $\cos \varphi = 1$:	> 1 x 10 ⁵ switch. cycl. IEC/EN 60947-5-1
To AC 15 at 4 A, AC 230 V:	> 1 x 10 ⁵ switch. cycl. IEC/EN 60947-5-1
To DC 13 at 1 A, AC 24 V:	> 1 x 10 ⁵ switch. cycl. IEC/EN 60947-5-1
Permissible switching frequency:	3600 switching cycles / h ... continuous operation $\hat{=}$ t_{output}
Short-circuit strength	
max. fuse range	6 A gG / gL IEC/EN 60947-5-1
Mechanical life:	10 x 10 ⁶ switching cycles

General Data

Temperature range	
Operation:	- 25 ... + 50 °C
Lagerung:	- 25 ... + 50 °C
Altitude:	≤ 2000 m
Clearance and creepage distances	
Rated impulse voltage / pollution degree:	4 kV / 2 IEC 60664-1
EMC	
Electrostatic discharge:	8 kV (air) IEC/EN 61000-4-2
HF irradiation	
80 MHz ... 2.7 GHz:	10 V/m IEC/EN 61000-4-3
Fast transients:	4 kV IEC/EN 61000-4-4
Surge voltages between	
Wires for power supply:	2 kV IEC/EN 61000-4-5
Between wire and ground:	4 kV IEC/EN 61000-4-5
HF-wire guided:	10 V IEC/EN 61000-4-6
Interference suppression:	Limit value class B EN 55011
Degree of protection	
Housing:	IP 40 IEC/EN 60529
Terminals:	IP 20 IEC/EN 60529
Housing:	Thermoplast with V0 behaviour according to UL subject 94
Vibration resistance:	Amplitude 0.35 mm frequency 10 ... 55 Hz IEC/EN 60068-2-6
Climate resistance:	25 / 50 / 04 IEC/EN 60068-1
Terminal designation:	EN 50005
Wire connection:	2 x 2.5 mm ² solid or 2 x 1.5 mm ² stranded wire with sleeve DIN 46228-1/-2/-3/-4 2 x 1.0 mm ² stranded wire with sleeve DIN 46228-1/-2/-3/-4
Wire fixing:	Flat terminals with self-lifting clamping piece IEC/EN 60999-1
Fixing torque:	0.4 Nm
Mounting:	DIN rail IEC/EN 60715
Weight:	120 g

Dimensions

Width x height x depth:	22.5 x 82 x 102 mm
--------------------------------	--------------------

Standard Type

MK 8852.12 AC/DC 24 V	
Article number:	0056441
• Output:	2 changeover contacts
• Nominal voltage U_N :	AC/DC 24 V
• Width:	22,5 mm

Variant

MK 8852.12/002:	For DC operation observe reversed polarity on input (see Function Diagramm)
-----------------	---

Ordering example for variant

MK 8852	.12	/	_	_	AC/DC 24 V	50 / 60 Hz	
							Nominal frequency
							Nominal voltage
							Variant, if required
							Contacts
							Type