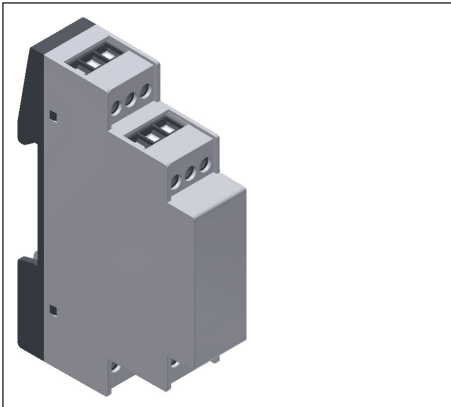


Insulated Enclosures KU 4587

to DIN 43 880 for installation in distribution cabinets
55 mm depth



Your Advantages

- Modular and flexible
- Plenty of space
- Variable connection system
- Can be specifically tailored to customer requirements

Features

- Module widths 17.5 mm
- Nominal depth 53 mm for overall panel depth maximum 55 mm to DIN 43 880
- Selectable enclosure configurations
 - without terminal
 - with printed circuit board terminals
 - with plug in screw terminals
 - with plug in cage clamp terminals
 - with various terminal combinations
- Suited for the accommodation of up to two vertical PCBs with terminals
- Enclosure openings for connection terminals, control elements and bus connectors KNX and RJ45 on request

Technical Data

Order reference: UL
 Closed: 0066453
 PCB terminal: 0066454
 Plug in screw terminal: 0066455
 Plug in cage clamp terminal: 0066672

External dimensions: 17.5 x 90 x 60

Enclosure material:
 Cover: PC (UL) light grey RAL 7035
 Base plate: PA66/6 (UL) graphite black RAL 9011

Temperature stability	PC (UL)	PA 66/6 (UL)
complying with UL 746 B:	115 °C	120 °C
complying with Vicat ISO 306 Meth. B:	146 °C	230 °C
compl. with ISO 75-2 (1.8 MPa):	123 °C	225 °C
(0.45 MPa):	142 °C	235 °C

Max. permitted power dissipation: 3 W for stand-alone enclosure at normal climate 23/50-1 ISO 554

Specific thermal resistance: $R_{th} = 16 \text{ K / W}$

Flame retardancy complying with UL 94: All enclosure materials: V-0

Number of terminals: 12; less on request

Enclosure fastener: Snap-on fastener on top hat rail EN 60 715

Creepage current resistance IEC 60 112
 PC: CTI 225 \cong insulated material III a
 PA66/6: CTI 550 \cong insulated material II

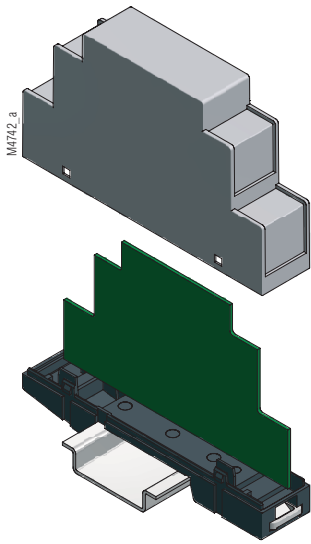
Type of protection: Enclosure IP 40 IEC 60 529
 Base plate IP 30
 (connector cut outs IP 20)

Print area: 16.5 x 41.5 mm

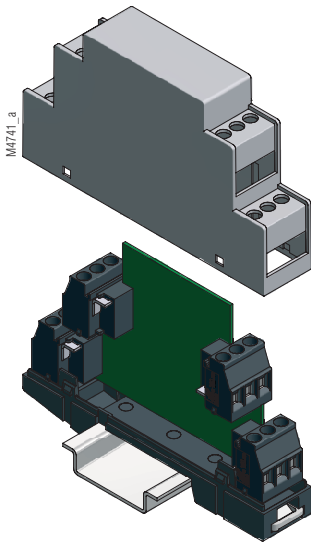
Print circuit board: See printed circuit board design
 Printed circuit board mounting vertical: Guides in base and terminal plate

More information see brochure Terminal overview GE02

Exploded view

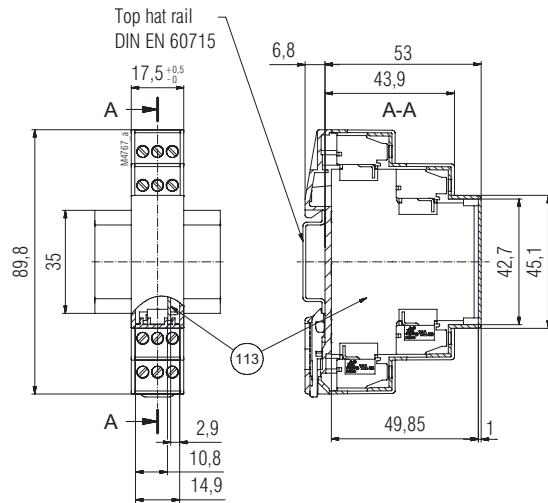
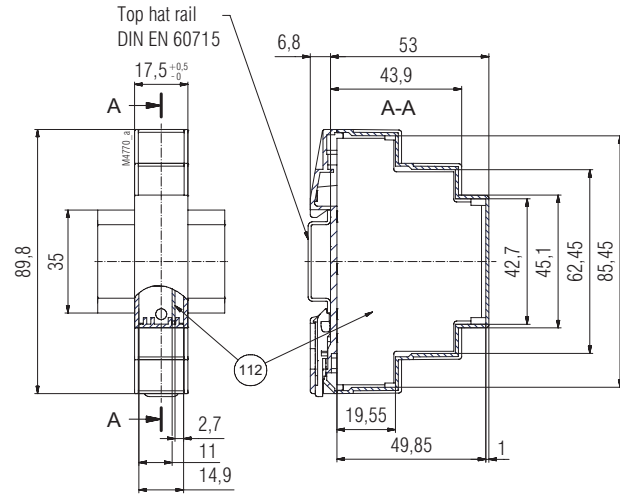


geschlossen

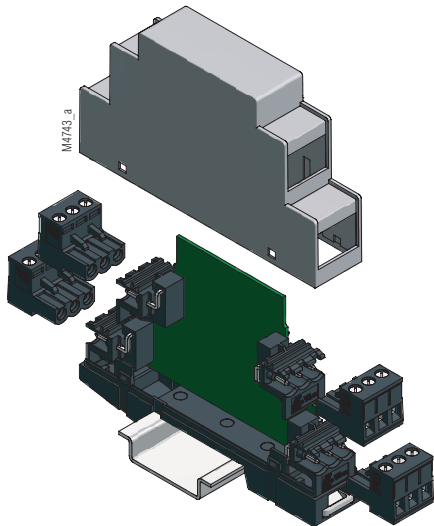


Leiterplattenklemme

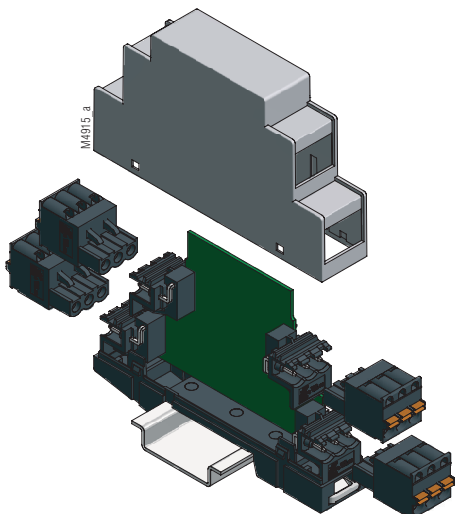
Dimensions



Exploded view

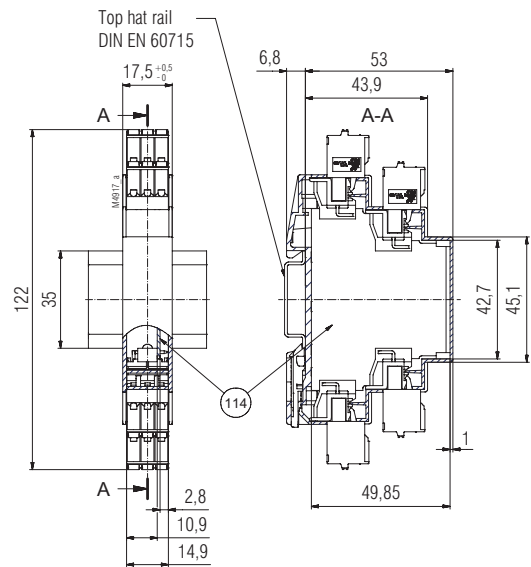
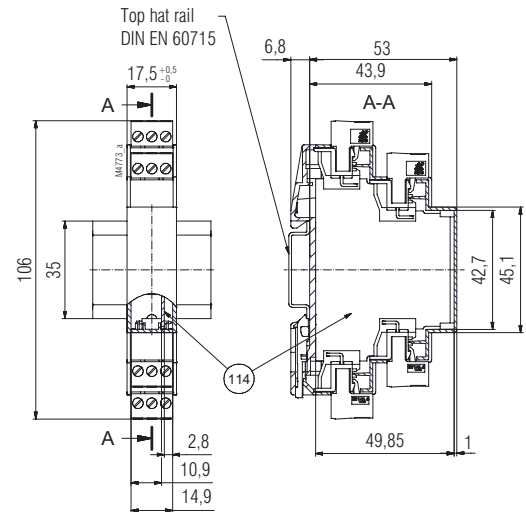


steckbare Schraubklemme

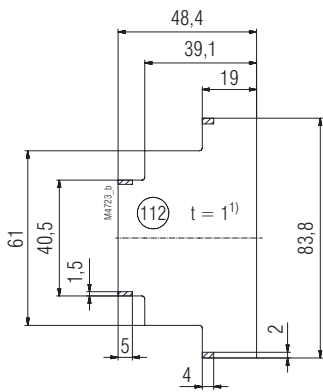


steckbare Federkraftklemme

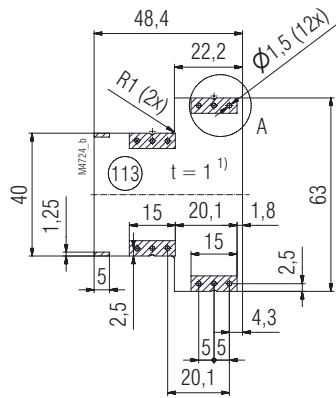
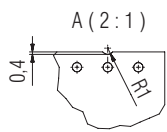
Dimensions



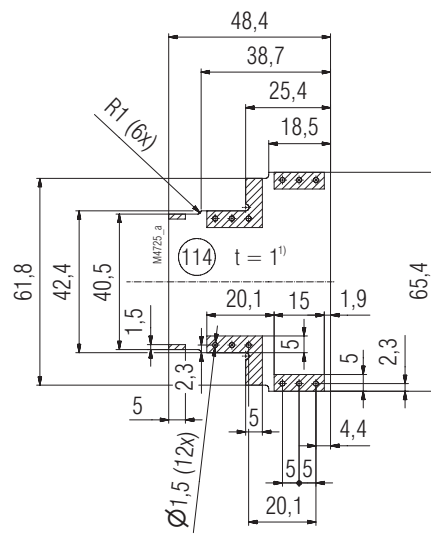
Printed circuit board design



with max. area without terminals



with 4 x 3-pole printed circuit board terminal RM 5.00 mm



with 4 x 3-pole plug in terminals RM 5.00 mm



1) Tolerance at DIN EN 60 249-2-4; General tolerance: PER FAG 2 E
Holes \varnothing 2,4 on request for cylindrical screws ISO 1207 M2x4